

**create
space**
and never
forget



EXPANDABLE
movable spaces

Service manual

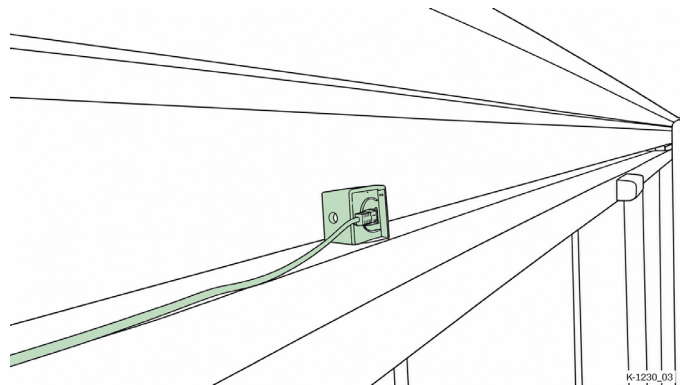
**AUTOMATIC SLIDING
DOOR by "GEZE"**

1. Replacing the Fuse – GEZE Electric Sliding Doors.

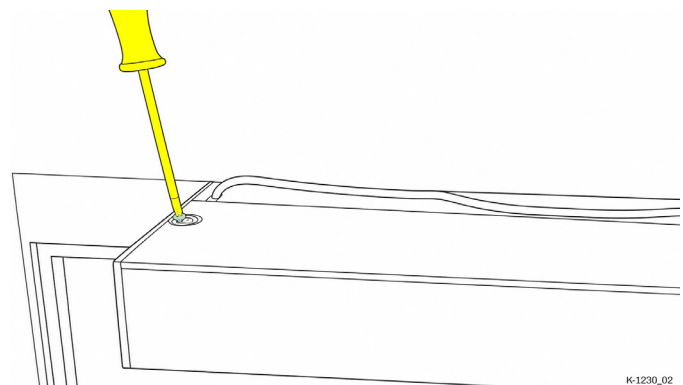
Follow the procedure below.

Required tools: TORX T15 screwdriver
 Required materials: 24V EXT fuse – 1.25 A (T), 5 x 20 mm slow-blow fuse

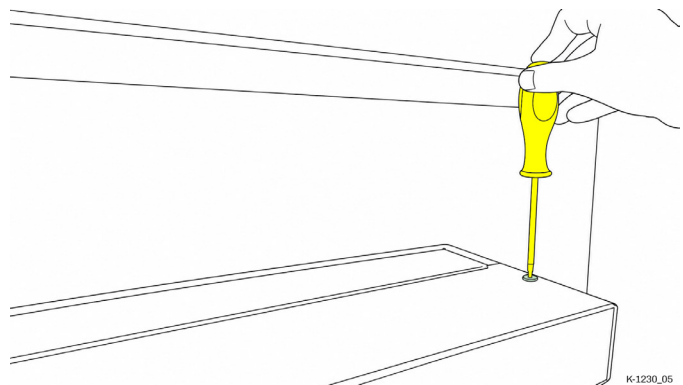
1. Always disconnect the plug from the mains socket before carrying out any work.




2. Remove the Torx screw on the left-hand side.



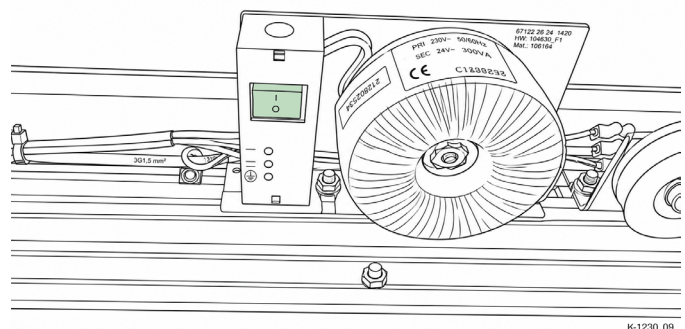
3. Remove the Torx screw on the right-hand side.



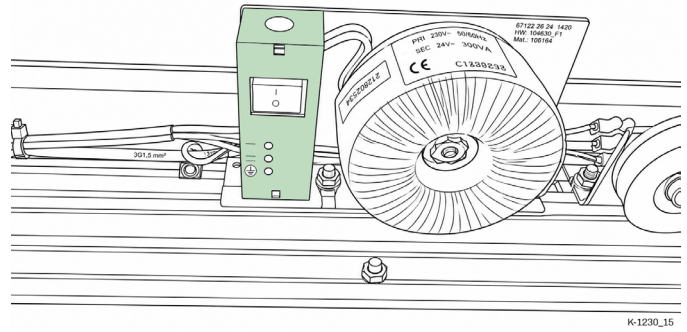
4. With two people, slide the cover towards you to remove it.

 The cover is fitted with retaining straps that support it while it is open.

5. Set the switch to the “0” (OFF) position.

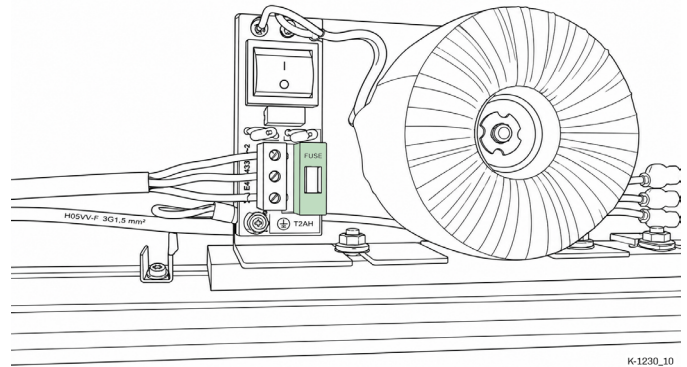


6. Pull the cover downwards to remove it.



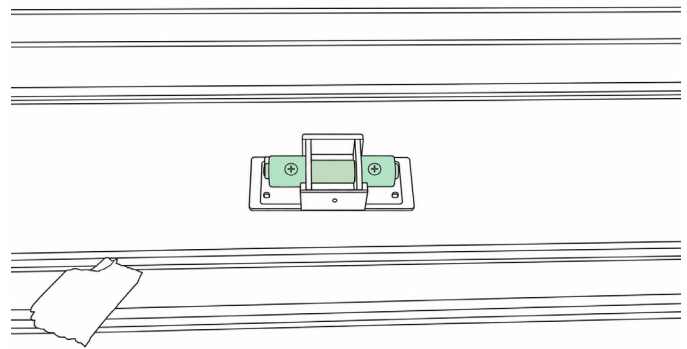
K-1230_15

7. Remove the cover to access the fuse.



K-1230_10

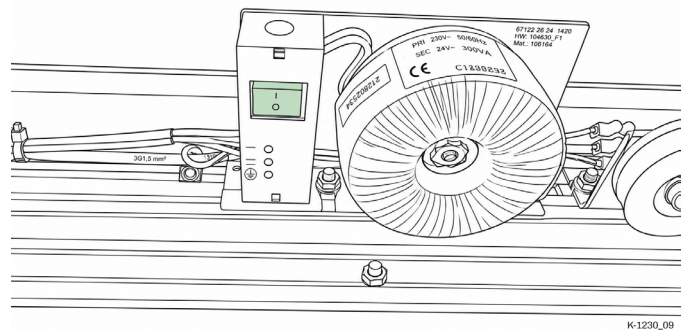
8. Fuse: 24V EXT – 1.25 A (T), 5 × 20 mm slow-blow fuse.



K-1230_12

6. Reinstall all components in the reverse order of removal.

Set the switch to the "I" (ON) position.



K-1230_09

any questions?
contact us

Expandable B.V.
Meerheide 25
5521 DZ Eersel
The Netherlands

+31(0)85 890 21 88
info@expandable.nl



EXPANDABLE
movable spaces

Part.no.: 163014EN (UK)-0
Release: 07-2026

www.expandable-trailers.com